

1984-1985 RX-7

SUBJECT Correction to Workshop Manual.

DESCRIPTION

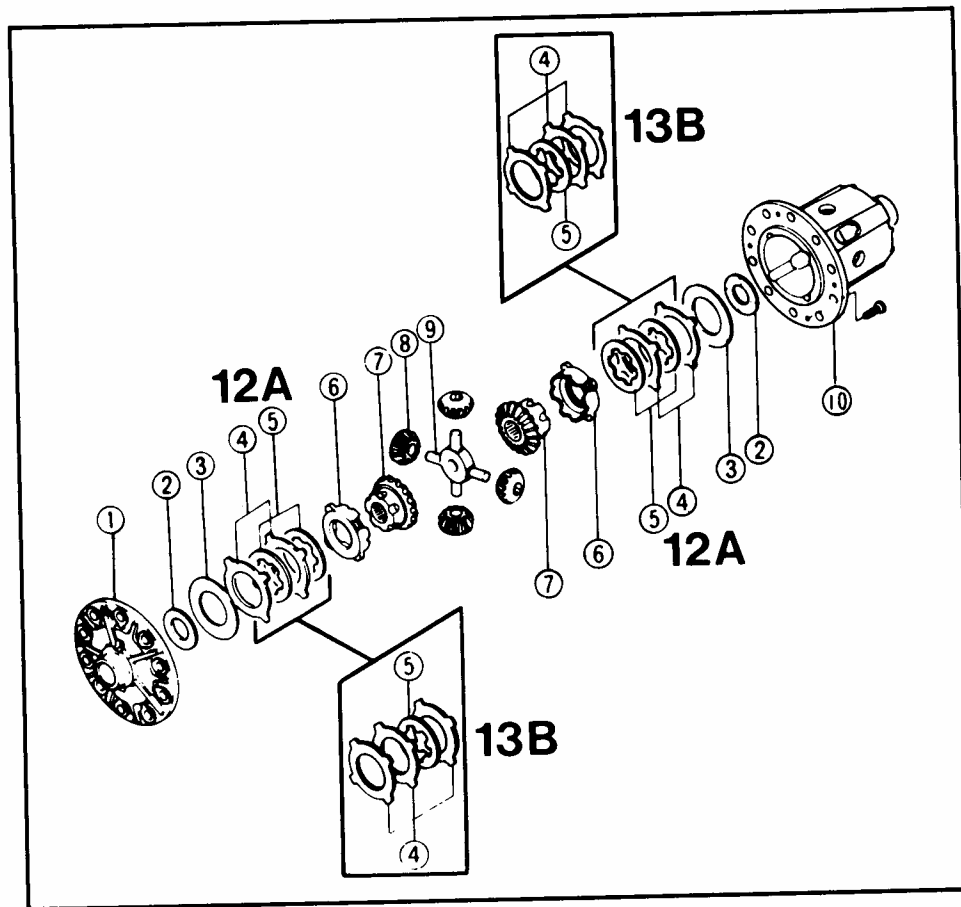
Please make the following corrections to the 1984-85 RX-7 Workshop Manuals. Self-adhesive stickers are provided for your convenience.

A. Figure 47U09X-031 (Addition to illustration)

1984 - Page 9-12

1985 - Page 9-15

NOTE: The quantity and installation order of friction discs and plates are corrected below.



4. Remove the following parts.

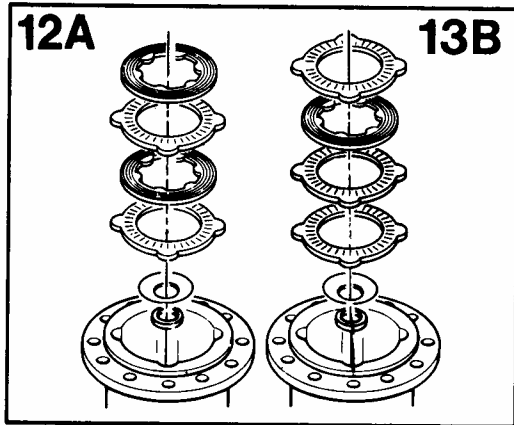
- 1) Differential case left
- 2) Thrust washer
- 3) Conical spring
- 4) Friction plate
- 5) Friction disc
- 6) Pressure ring
- 7) Side gear
- 8) Pinion gear
- 9) Spider
- 10) Differential case right

B. Figures 47U09X-054, 055 and 056 (Replacement for Assembly of differential - LSD model)

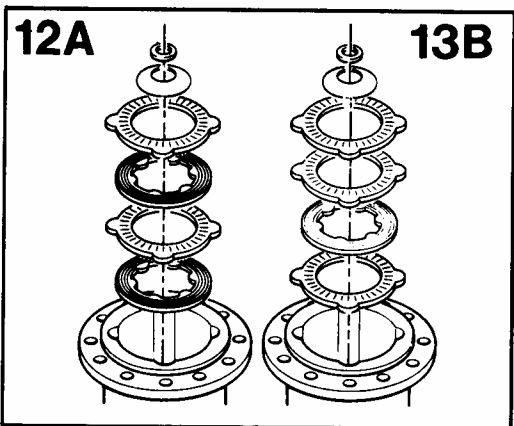
1984 - Page 9-19

1985 - Page 9-22

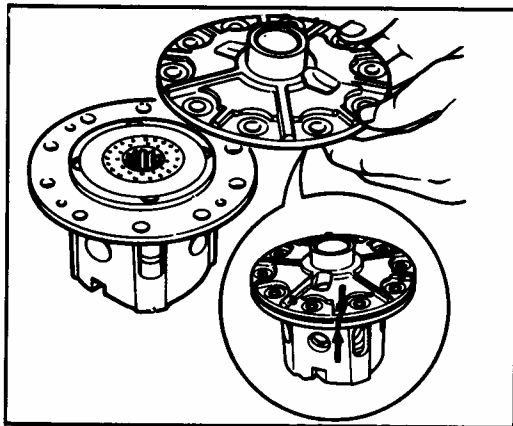
NOTE: The quantity and installation order of friction disc and plate are corrected below.



47U09X-054



47U09X-055



47U09X-056

Assembly of differential (LSD model)

1. Install the following parts to differential case right in the following order.

Order	Engine	12A	13B
1		Thrust washer	
2		Conical spring	
3		Friction plate	Friction plate
4		Frinction disc	Friction plate
5		Friction plate	Friction disc
6		Friction disc	Friction plate
7		Pressure ring	

NOTE

Centralize the friction discs so that the splines of the side gear can be easily inserted into friction discs.

Order	Engine	12A	13B
8		Side gear	
9		Pinion gear and spider assembly	
10		Side gear	
11		Pressure ring	
12		Friction disc	Friction plate
13		Friction plate	Friction disc
14		Friction disc	Friction plate
15		Friction plate	Friction plate
16		Conical spring	
17		Thrust washer	
18		Differential case left	

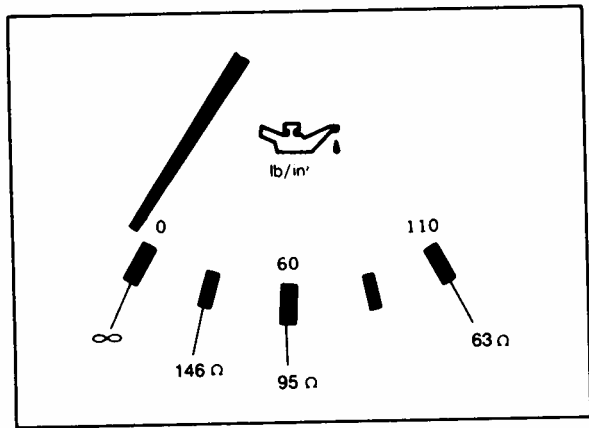
CAUTION

When installing the differential case left onto the differential case right, align the identification marks on the differential case and tighten the attaching screws temporarily.

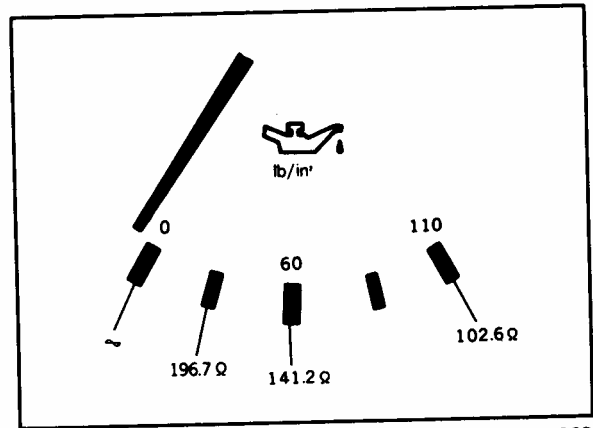
C. Figure 47U15X-029 (1984) & 57U15X-029 (1985)

1984 - Page 15-21 (figure 47U15X-029)

1985 - Page 15-21 (figure 57U15X-029)



57U15X-029



57U15X-029