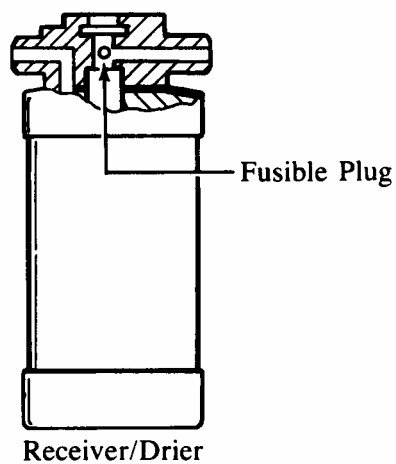


1979-1985 RX-7

SUBJECT Air Conditioner Inoperative.DESCRIPTION

If the air conditioner is inoperative and the fusible plug on the receiver/drier is blown, replace the receiver/drier, then evacuate the system and recharge with the proper amount of refrigerant according to the Mazda Air Conditioner Technical & Troubleshooting Manual.

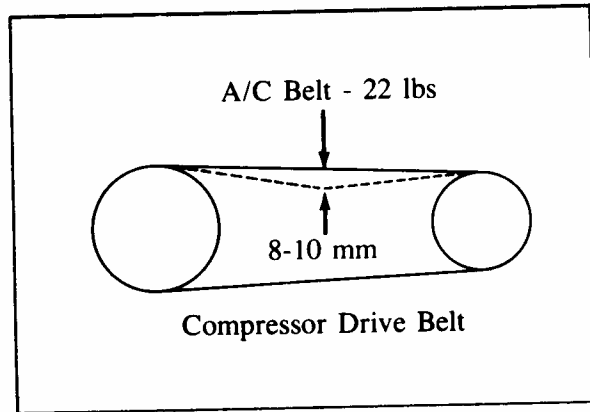
To determine the cause of the blown fusible plug, proceed as shown below.



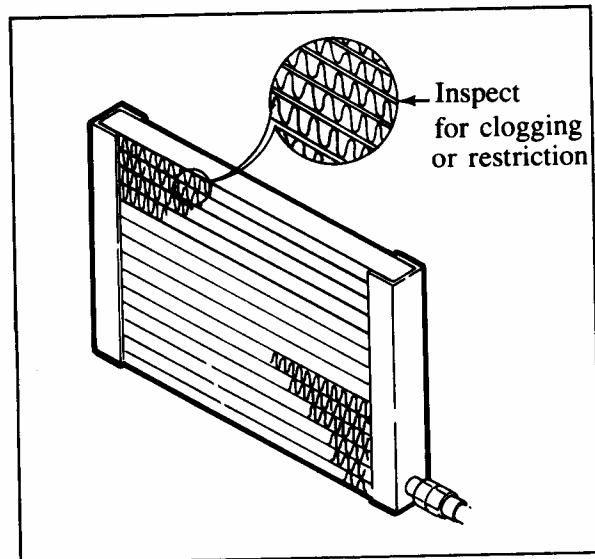
TROUBLESHOOTING PROCEDURE

1. Check the tension of the compressor drive belt. Adjust if necessary.

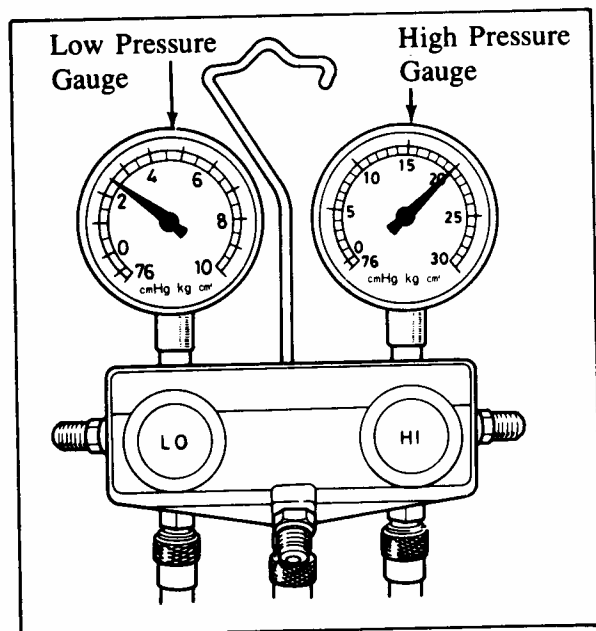
Specification: 5/16" to 3/8" (8-10 mm) deflection when center span of belt is pushed with a force of 22 lb (10 kg).



2. Check that the fins on the condenser are not clogged or restricted. Clean, if necessary.



3. Attach a manifold to the suction and discharge fittings. Refer to the Mazda Air Conditioning Technical & Troubleshooting Manual. If the high pressure gauge shows an excessively high pressure, go to Step 4.



4. Check the fan drive clutch and replace, if necessary.

- When the engine is cold, turn the cooling fan by hand and check that resistance is felt.
- Check to be sure that there is no fluid leakage from the fan drive clutch.
- Check to be sure that there is no deformation of the bi-metal.
- Check that there is no bearing play or grease leakage.

For 1984-85 RX-7:

Refer to the applicable Workshop Manual, Section 3, "Cooling System".

